

3.8.3.2. Exterior Walks

- (1) Except as provided in Sentence (2), exterior walks that form part of a barrier-free path of travel shall,
- (a) be provided by means of a continuous plane not interrupted by steps or abrupt changes in level,
 - (b) have a permanent, firm and slip-resistant surface,
 - (c) except as required in Sentence 3.8.1.3.(4), have an uninterrupted width of not less than 1 100 mm and a gradient not exceeding 1 in 20,
 - (d) be designed as a ramp where the gradient is greater than 1 in 20,
 - (e) have not less than 1 100 mm wide surface of a different texture to that surrounding it, where the line of travel is level and even with adjacent walking surfaces,
 - (f) be free from obstructions for the full width of the walk to a minimum height of 1 980 mm, except that handrails are permitted to project not more than 100 mm from either side into the clear area, and
 - (g) have a level area adjacent to the entrance doorway conforming to Clause 3.8.3.4.(1)(c).
 - (h) have a tactile attention indicator conforming to Article 3.8.3.18. that is located to identify an entry into a vehicular route or area where no curbs or any other element separate the vehicular route or area from a pedestrian route.
- (2) Where a difference in elevation between levels in a walkway is not more than 200 mm, a curb ramp conforming to Sentences (3) and (4) may be provided.
- (3) The curb ramp permitted by Sentence (2) shall,
- (a) have a running slope conforming to Table 3.8.3.2.,
 - (b) have a width of not less than 1 500 mm exclusive of flared sides,
 - (c) have a surface including flared sides that shall,
 - (i) be slip-resistant,
 - (ii) have a detectable warning surface that is colour and texture-contrasted with the adjacent surfaces, and
 - (iii) have a smooth transition from the ramp and adjacent surfaces, and
 - (d) have flared sides with a slope of not more than 1:10 where pedestrians are likely to walk across them.

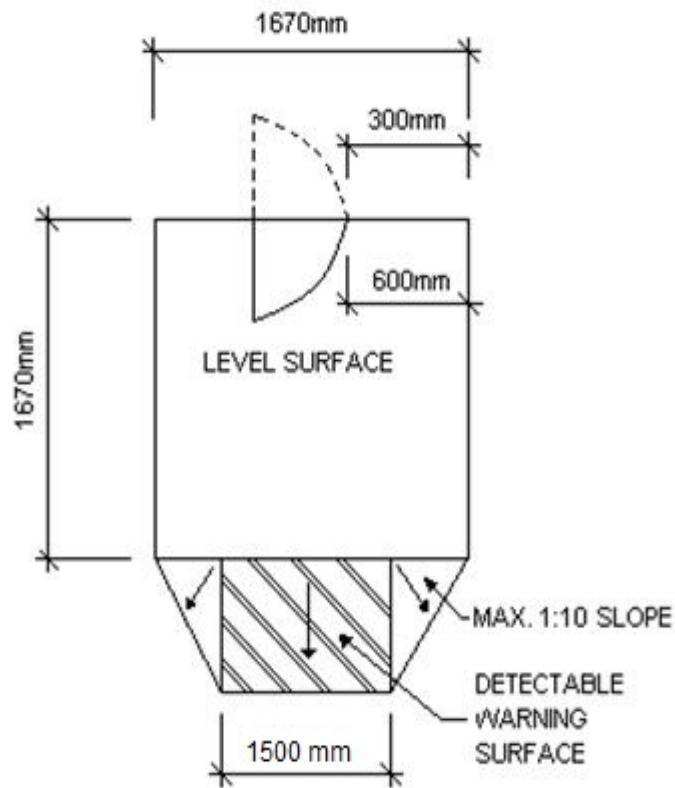
Table 3.8.3.2.
Ramp Rise and Slope
Forming Part of Sentence 3.8.3.2.(3)

Vertical Rise Between Surfaces, mm	Slope
75 to 200	1:10 to 1:12
less than 75	1:8 to 1:10

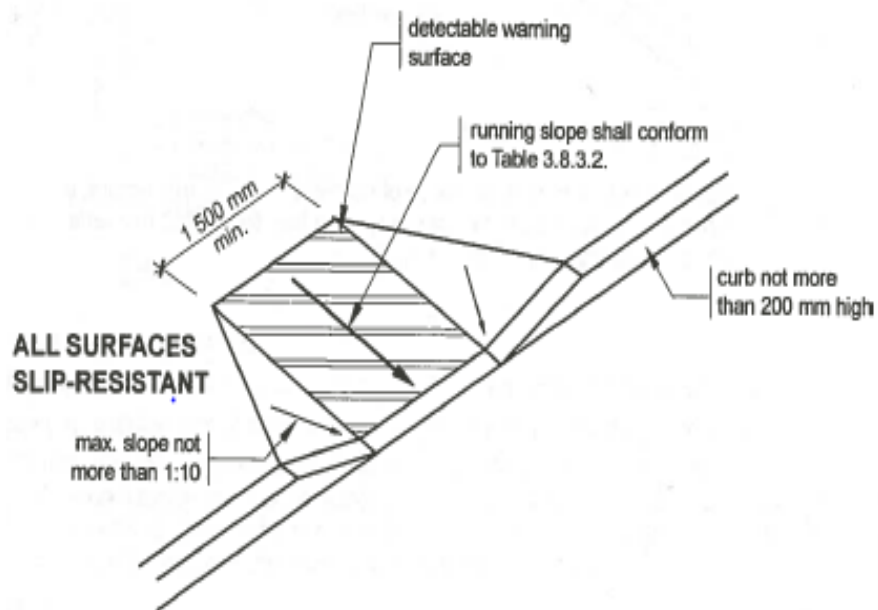
- (4) Curb ramps described in Sentence (3) do not require handrails or guards.

3.8.3.4. Ramps

- (1) Ramps located in a barrier-free path of travel shall,
- (c) have a level area of at least 1 670 mm by 1 670 mm at the top and bottom of a ramp and where a door is located in a ramp, so that the level area extends at least 600 mm beyond the latch side of the door opening, except that where the door opens away from the ramp, the area extending beyond the latch side of the door opening may be reduced to 300 mm.



Max. Slope as per Table 3.8.3.2.



3.8.3.2. Exterior Walks

Where a difference of not more than 200 mm occurs, a curb ramp is permitted to be used that is not less than 1 500 mm wide with a slope conforming to Table 3.8.3.2.